



INTERNATIONAL REGISTRATION CERTIFICATE

The international Bureau of the World Intellectual Property Organization (WIPO) hereby certifies that the particulars given below correspond to the recording made in the International Register of Industrial Designs, at the date of the international registration, under the Hague Agreement Concerning the International Registration of Industrial Designs.

Registration number DM/242775

Date of the international registration 29 November 2024

Filing date 29 November 2024

Name and address of holder Mobili Fiver S.r.l.
Via O. Bottecchia 6
33087 Pasiano di Pordenone PN (Italy)

Entitlement (Nationality) Italy

Entitlement (Domicile) Italy

Entitlement (Industrial or commercial establishment) Italy

Entitlement (Habitual residence) European Union

Applicant's Contracting Party European Union

Name and address of the representative Società Italiana Brevetti S.p.A. / Matteo POZZATO
Stradone S. Fermo, 21
37121 Verona VR (Italy)

Name and address of creator of designs No(s) 1-9: Nicola CACCO, c/o Mobili Fiver S.r.l. Via O. Bottecchia 6, 33087, Pasiano di Pordenone PN, Italy

Number of designs included in the international registration 9

Locarno Classification Cl. 06-03, 06-04, 06-06

Indication of products No(s) 1-2, 5-7: Storage cabinet
No(s) 3: Furniture leg
No(s) 4: Furniture legs



INTERNATIONAL REGISTRATION CERTIFICATE (continued) **DM/242775**

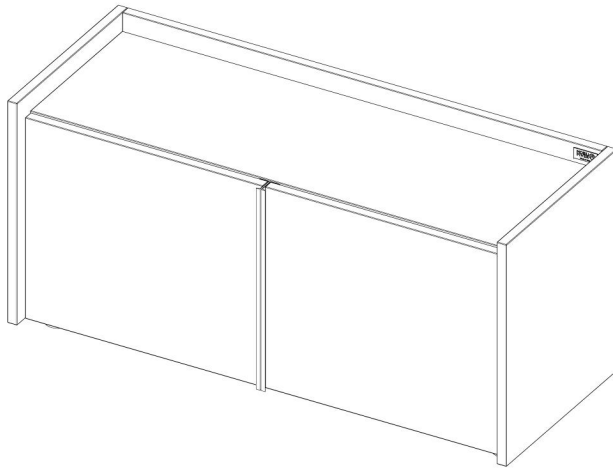
No(s) 8-9: Table

Contracting Parties European Union, Switzerland, United Kingdom
designated under the 1999
Act



INTERNATIONAL REGISTRATION CERTIFICATE (continued) **DM/242775**

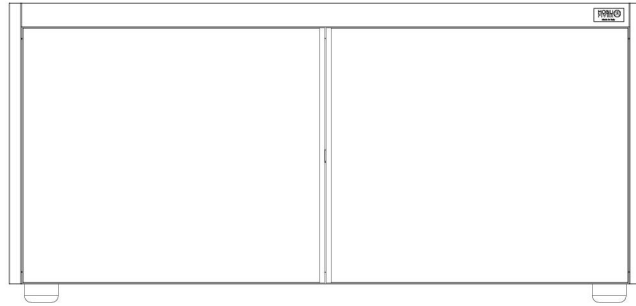
1.1





INTERNATIONAL REGISTRATION CERTIFICATE (continued) **DM/242775**

1.2





INTERNATIONAL REGISTRATION CERTIFICATE (continued) **DM/242775**

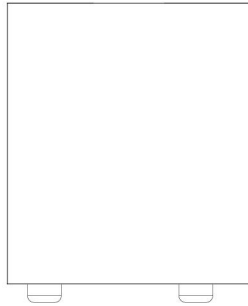
1.3





INTERNATIONAL REGISTRATION CERTIFICATE (continued) **DM/242775**

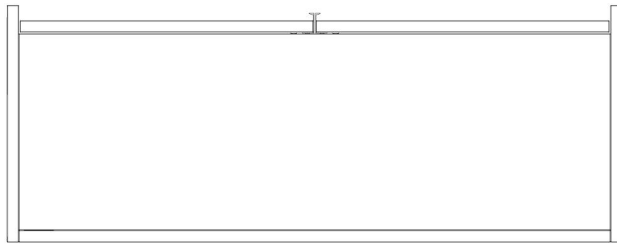
1.4





INTERNATIONAL REGISTRATION CERTIFICATE (continued) **DM/242775**

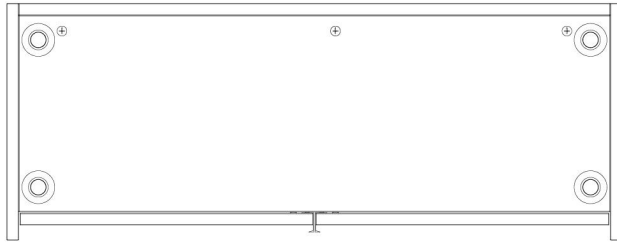
1.5





INTERNATIONAL REGISTRATION CERTIFICATE (continued) **DM/242775**

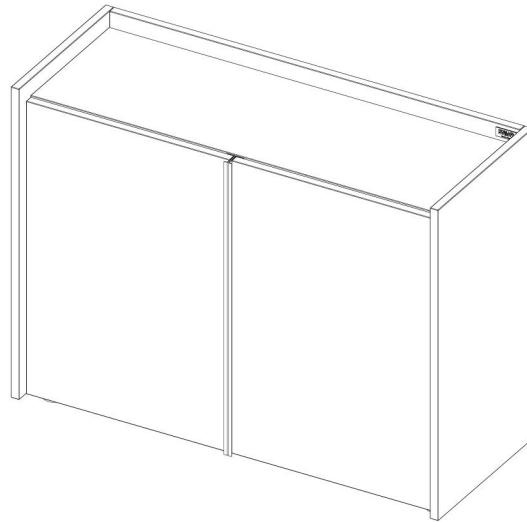
1.6





INTERNATIONAL REGISTRATION CERTIFICATE (continued) **DM/242775**

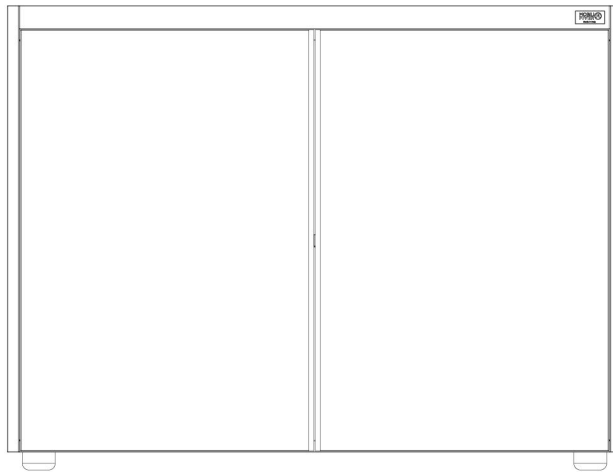
2.1





INTERNATIONAL REGISTRATION CERTIFICATE (continued) **DM/242775**

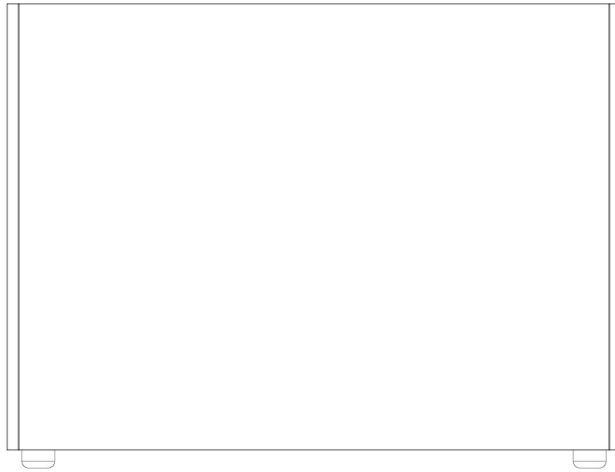
2.2





INTERNATIONAL REGISTRATION CERTIFICATE (continued) **DM/242775**

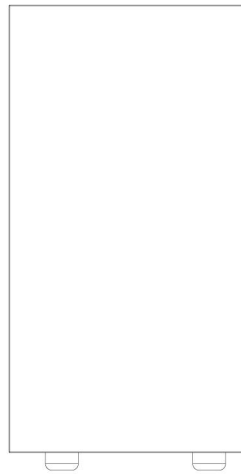
2.3





INTERNATIONAL REGISTRATION CERTIFICATE (continued) **DM/242775**

2.4





INTERNATIONAL REGISTRATION CERTIFICATE (continued) **DM/242775**

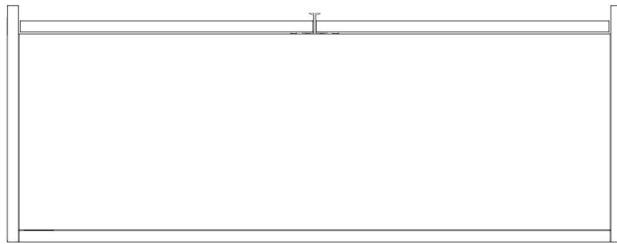
2.5





INTERNATIONAL REGISTRATION CERTIFICATE (continued) **DM/242775**

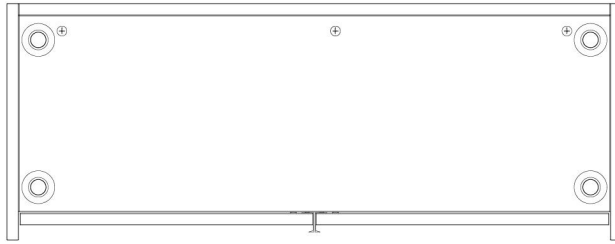
2.6





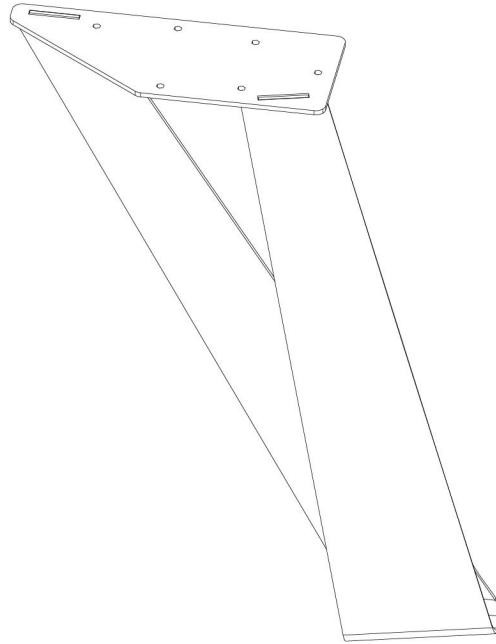
INTERNATIONAL REGISTRATION CERTIFICATE (continued) **DM/242775**

2.7



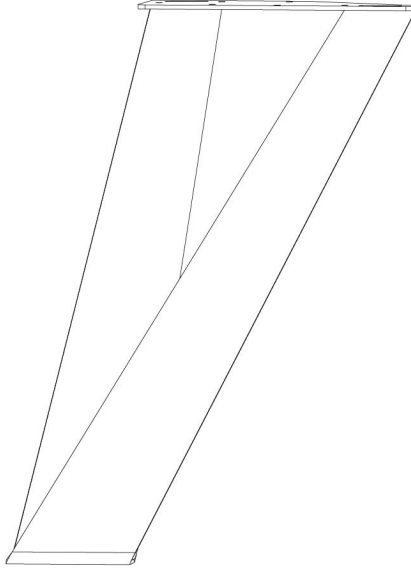


3.1



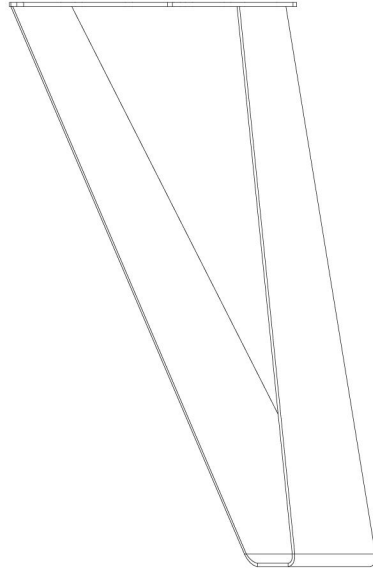


3.2



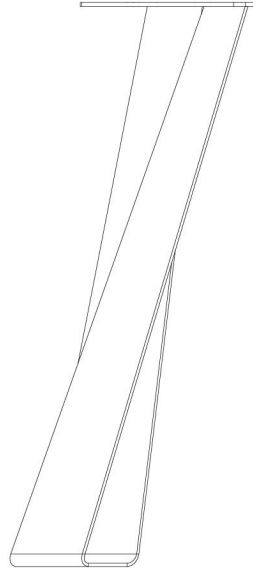


3.3





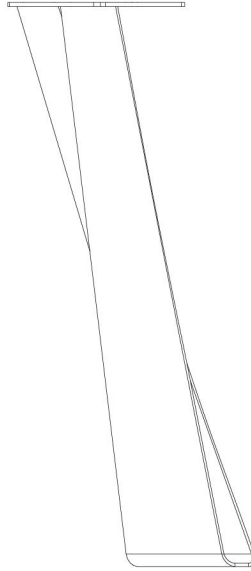
3.4





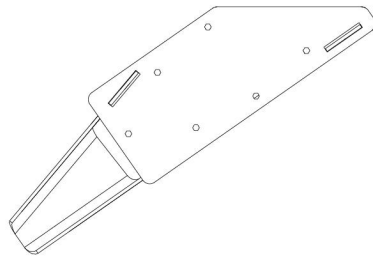
INTERNATIONAL REGISTRATION CERTIFICATE (continued) **DM/242775**

3.5



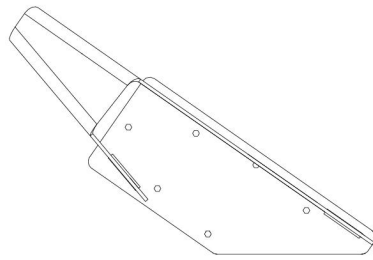


3.6



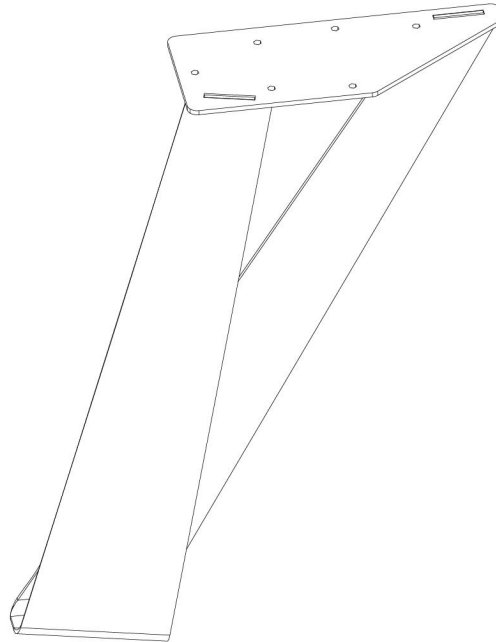


3.7





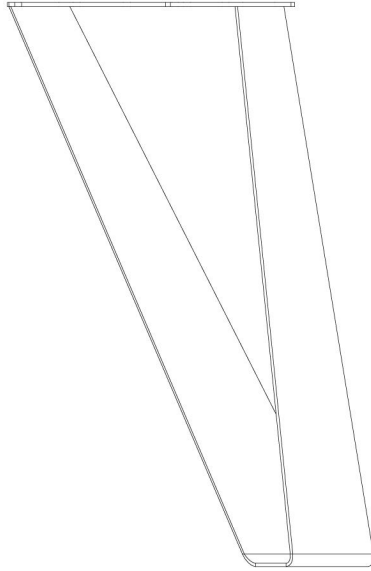
4.1





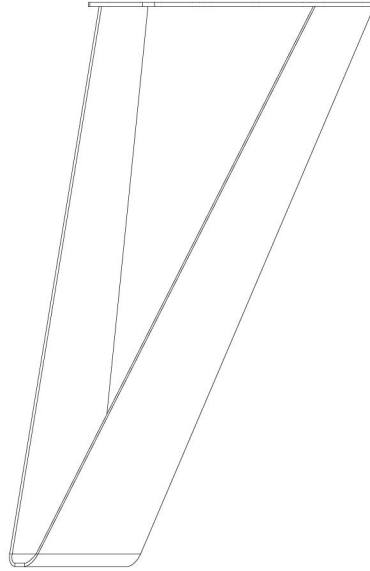
INTERNATIONAL REGISTRATION CERTIFICATE (continued) **DM/242775**

4.2



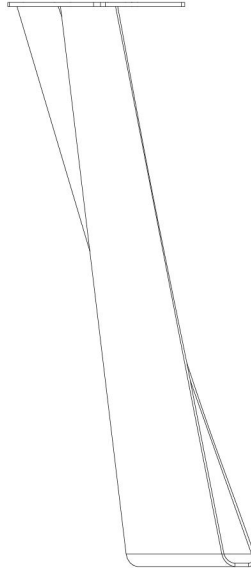


4.3



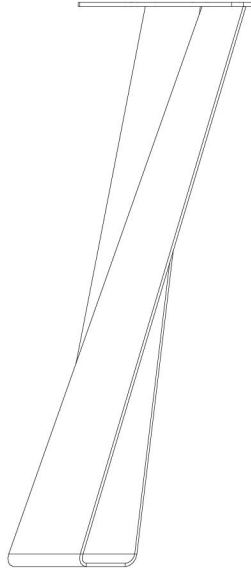


4.4





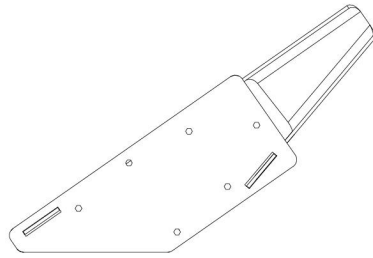
4.5





INTERNATIONAL REGISTRATION CERTIFICATE (continued) **DM/242775**

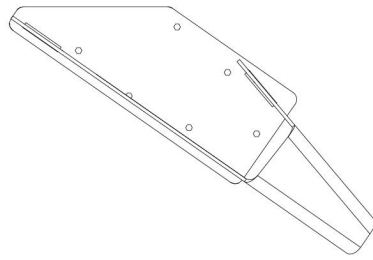
4.6





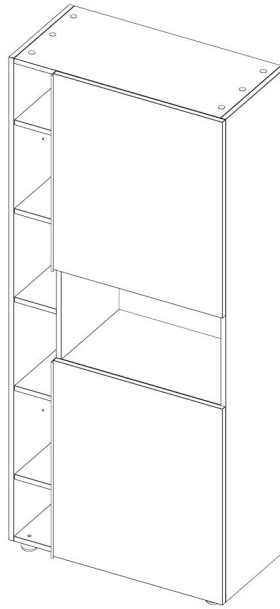
INTERNATIONAL REGISTRATION CERTIFICATE (continued) **DM/242775**

4.7



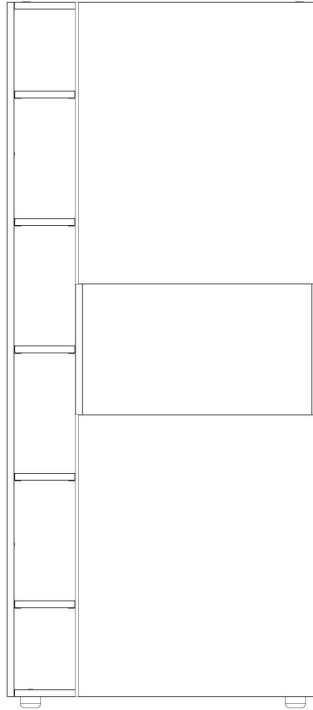


5.1



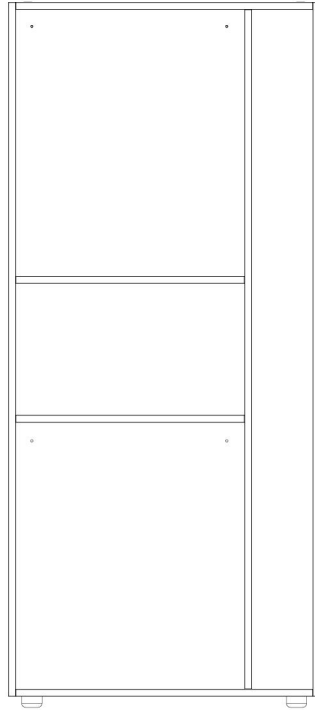


5.2





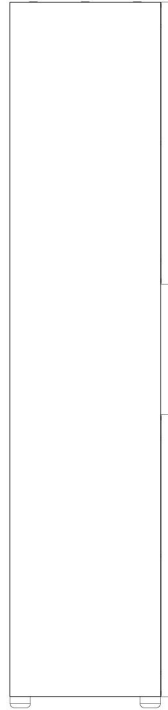
5.3





INTERNATIONAL REGISTRATION CERTIFICATE (continued) **DM/242775**

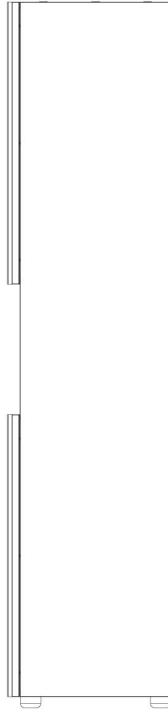
5.4





INTERNATIONAL REGISTRATION CERTIFICATE (continued) **DM/242775**

5.5





INTERNATIONAL REGISTRATION CERTIFICATE (continued) **DM/242775**

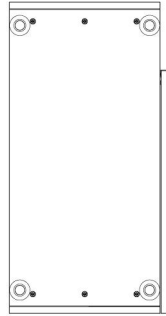
5.6





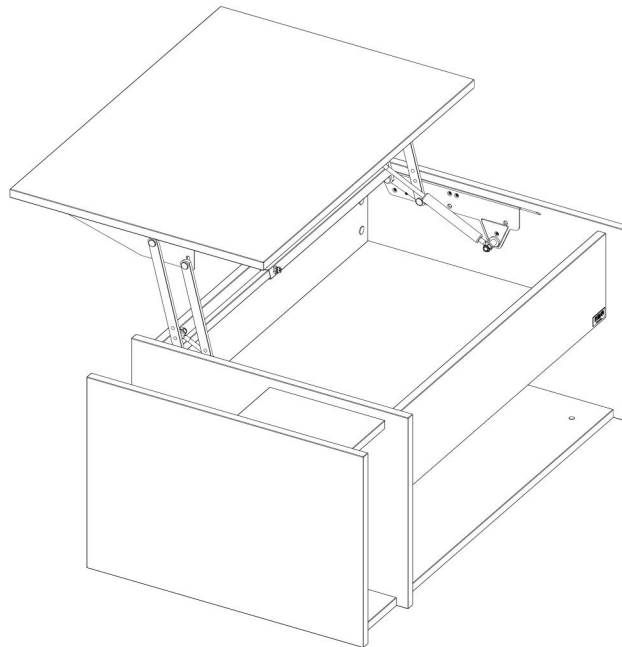
INTERNATIONAL REGISTRATION CERTIFICATE (continued) **DM/242775**

5.7





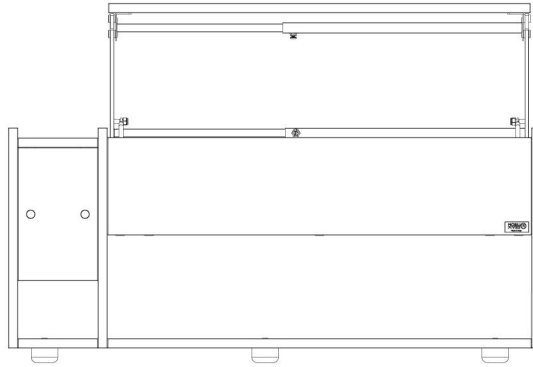
6.1





INTERNATIONAL REGISTRATION CERTIFICATE (continued) **DM/242775**

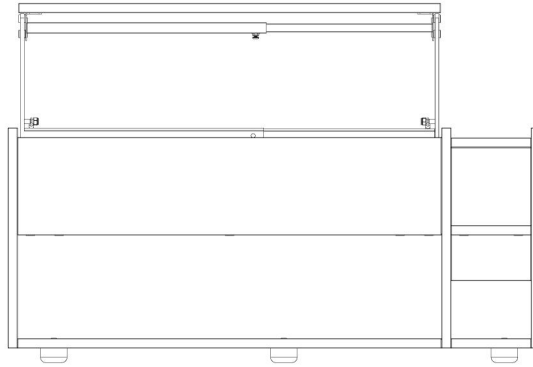
6.2





INTERNATIONAL REGISTRATION CERTIFICATE (continued) **DM/242775**

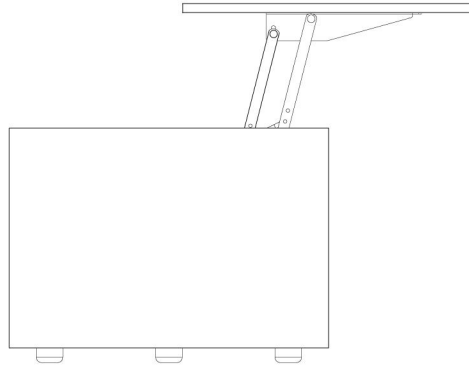
6.3





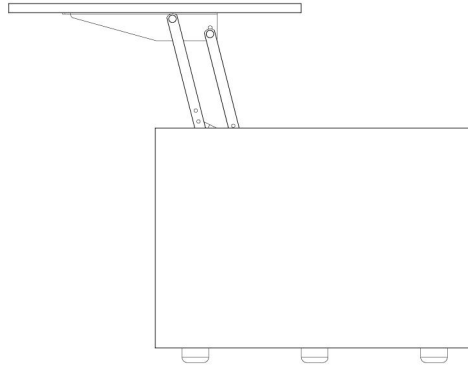
INTERNATIONAL REGISTRATION CERTIFICATE (continued) **DM/242775**

6.4



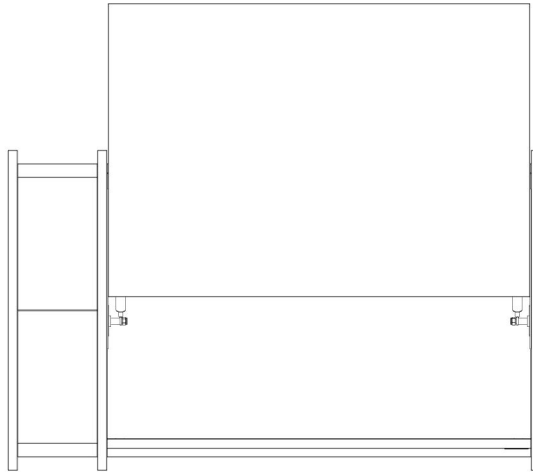


6.5



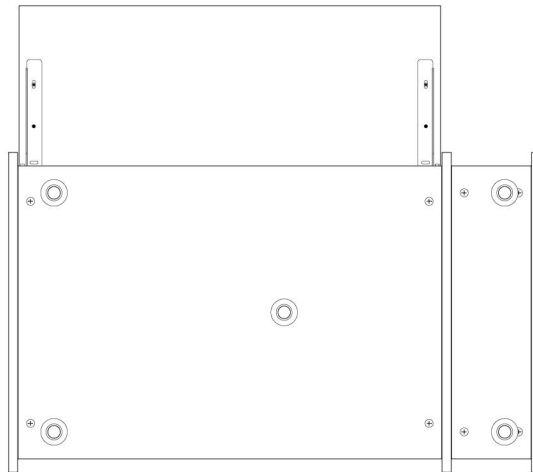


6.6



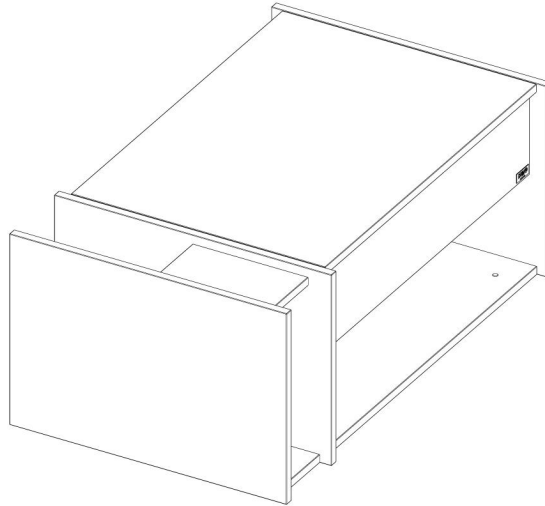


6.7





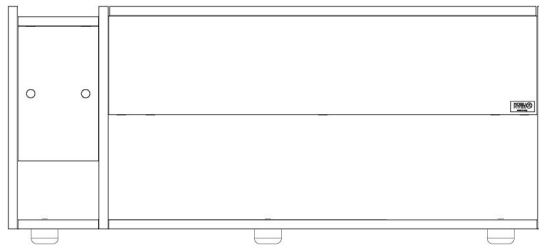
7.1





INTERNATIONAL REGISTRATION CERTIFICATE (continued) **DM/242775**

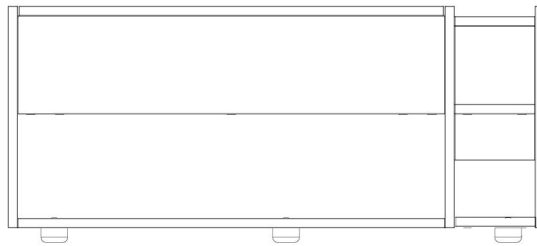
7.2





INTERNATIONAL REGISTRATION CERTIFICATE (continued) **DM/242775**

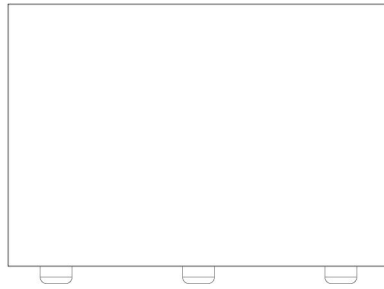
7.3





INTERNATIONAL REGISTRATION CERTIFICATE (continued) **DM/242775**

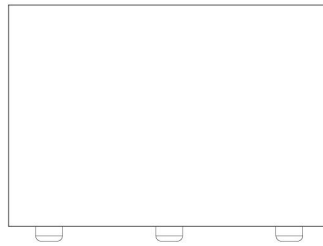
7.4





INTERNATIONAL REGISTRATION CERTIFICATE (continued) **DM/242775**

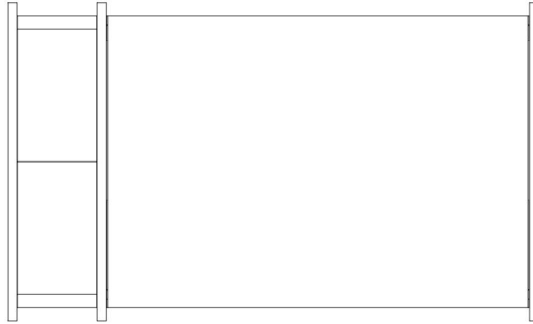
7.5





INTERNATIONAL REGISTRATION CERTIFICATE (continued) **DM/242775**

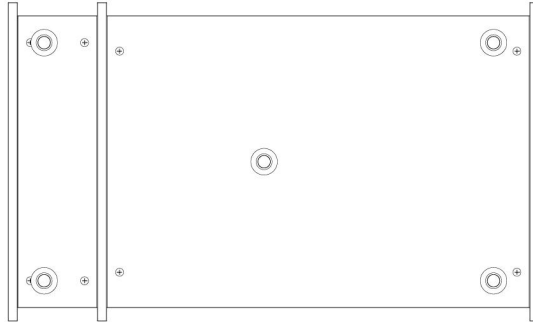
7.6





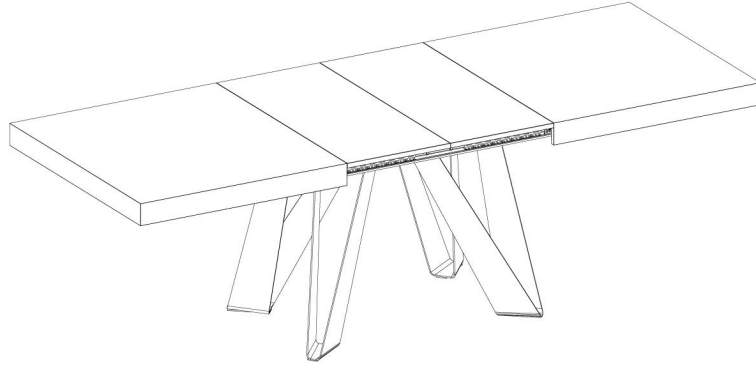
INTERNATIONAL REGISTRATION CERTIFICATE (continued) **DM/242775**

7.7





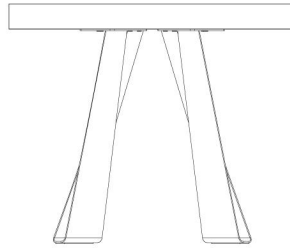
8.1





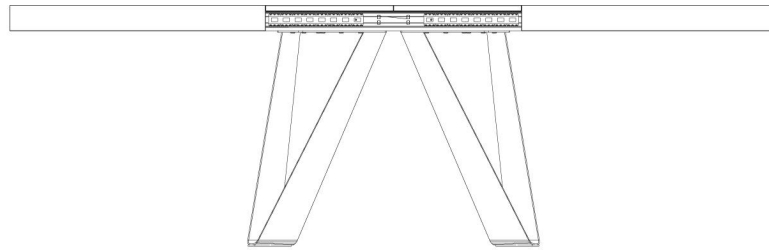
INTERNATIONAL REGISTRATION CERTIFICATE (continued) **DM/242775**

8.2





8.3





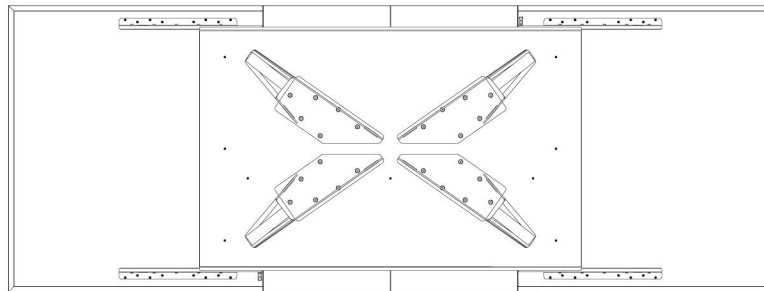
INTERNATIONAL REGISTRATION CERTIFICATE (continued) **DM/242775**

8.4

| | | | |
|--|--|--|--|
| | | | |
|--|--|--|--|

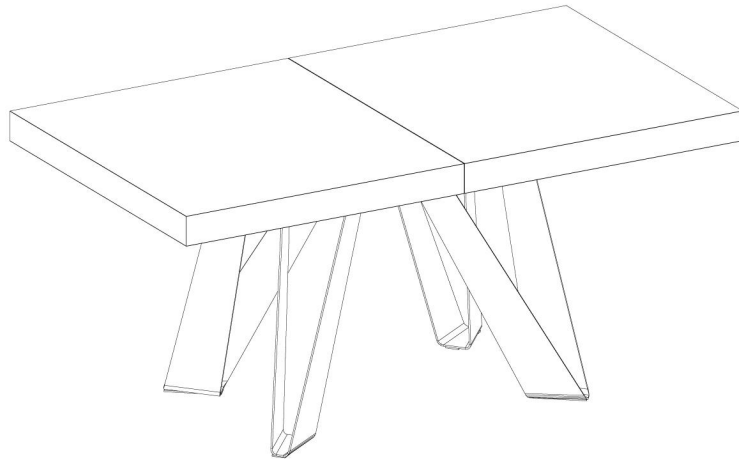


8.5



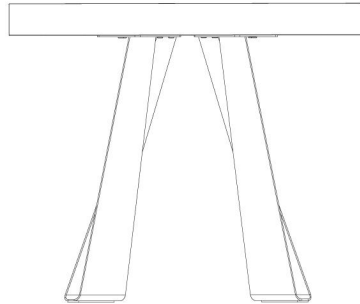


9.1



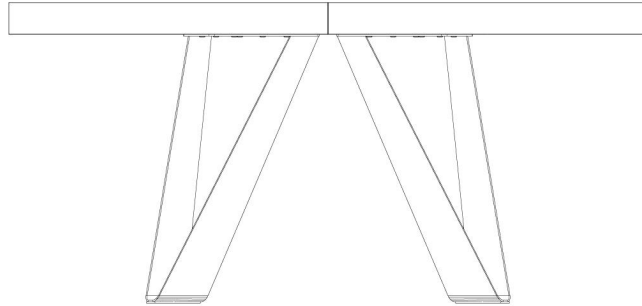


9.2





9.3





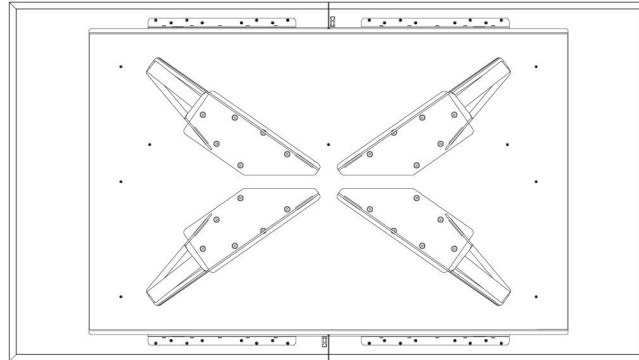
INTERNATIONAL REGISTRATION CERTIFICATE (continued) **DM/242775**

9.4

| | |
|--|--|
| | |
|--|--|



9.5



Quan-Ling SIM
Head, Operations Service
The Hague Registry
Brands and Designs Sector

December 18, 2024



PAYMENT BALANCE

International registration: DM/242775

User ref.: DW76E/RMP/rmn

December 18, 2024

Swiss Francs

| | |
|--|-----------------|
| International registration basic fee (IB) | 397.00 |
| International registration fee for additional designs (IB) | 400.00 |
| Standard designation fee 1 (GB) | 42.00 |
| Standard designation fee 2 (CH) | 60.00 |
| Standard designation fee for additional designs 1 (GB) | 16.00 |
| Standard designation fee for additional designs 2 (CH) | 160.00 |
| Individual designation fee (EM) | 531.00 |
| Publication of reproductions (IB) | 986.00 |
| Total due: | 2,592.00 |
| Payment received on 29 November 2024 | 2,592.00 |